

**SAMSUNG**

**ELECTRONICS**

Product Information



# Product Information

*SAMSUNG TFT-LCD*

**MODEL NO. : LTN154AT01-001**

LCD Development Group 1 (Mobile)

Samsung Electronics Co . , LTD.



**Doc.No.**

LTN154AT01-001

**ISSUED DATE**

9/Aug/2007

**Page**

1 / 13

## CONTENTS

General Description	----- ( 3 )
1. Electrical Absolute Ratings	----- ( 4 )
2. Optical Characteristics	----- ( 5 )
3. Electrical Characteristics	----- ( 6 )
3.1 TFT LCD Module	
3.2 Backlight Unit	
4. Block Diagram	----- ( 7 )
4.1 TFT LCD Module	
4.2 Backlight Unit	
5. Input Terminal Pin Assignment	----- ( 8 )
5.1 Input Signal & Power	
5.2 Backlight Unit	
5.3 Timing Diagrams of LVDS For Transmitting	
6. Interface Timing	----- ( 10 )
6.1 Timing Parameters	
6.2 Timing Diagrams of interface Signal	
6.3 Power ON/OFF Sequence	
7. Outline Dimension	----- ( 12 )

## GENERAL DESCRIPTION

### DESCRIPTION

LTN154AT01-001 is a color active matrix TFT (Thin Film Transistor) liquid crystal display (LCD) that uses amorphous silicon TFT as switching devices. This model is composed of a TFT LCD panel, a driver circuit and a backlight system. The resolution of a 15.4" contains 1280 x 800 pixels and can display up to 262,144 colors. 6 O'clock direction is the Optimum viewing angle.

### FEATURES

- Thin and light weight
- High contrast ratio, high aperture structure
- Wide XGA (1280x800 pixels) resolution
- Fast Response Time
- Low power consumption
- Single CCFL
- DE (Data enable) only mode.
- 3.3V LVDS Interface
- On board EDID chip
- Pb-free product

### APPLICATIONS

- Notebook PC
- If the usage of this product is not for PC application, but for others, please contact SEC

## GENERAL INFORMATION

Item	Specification	Unit	Note
Display area	331.2(H) X 207.0(V) (15.4"diagonal)	mm	
Driver element	a-si TFT active matrix		
Display colors	262,144		
Number of pixel	1280 x 800 ( 16 : 10, Wide XGA )	pixel	
Pixel arrangement	RGB vertical stripe		
Pixel pitch	0.25875(H) x 0.25875(V)	mm	
Display Mode	Normally white		
Surface treatment	Haze 0, Hard-Coating 3H		

## Mechanical Information

Item		Min.	Typ.	Max.	Unit	Note
Module size	Horizontal (H)	343.5	344.0	344.5	mm	
	Vertical (V)	221.5	222.0	222.5	mm	
	Depth (D)	-	6.1	6.5	mm	(1)
Weight		-	575	595	g	

Note (1) Measurement condition of outline dimension

- . Equipment : Vernier Calipers
- . Push Force : 500g · f (minimum)

## 1. ELECTRICAL ABSOLUTE RATINGS

## (1) TFT LCD MODULE

$$V_{DD} = 3.3V, V_{SS} = GND = 0V$$

Item	Symbol	Min.	Max.	Unit	Note
Power Supply Voltage	$V_{DD}$	$V_{DD} - 0.3$	$V_{DD} + 0.3$	V	(1)
Logic Input Voltage	$V_{DD}$	$V_{DD} - 0.3$	$V_{DD} + 0.3$	V	(1)

Note (1) Within  $T_a$  ( $25 \pm 2$  °C)

## (2) BACK-LIGHT UNIT

$$T_a = 25 \pm 2$$
 °C

Item	Symbol	Min.	Max.	Unit	Note
Lamp Current	$I_L$	3.0	6.5	mArms	(1)
Lamp frequency	$F_L$	50	80	kHz	(1)

Note 1) Permanent damage to the device may occur if maximum values are exceeded

Functional operation should be restricted to the conditions described under normal operating conditions.

## 2. OPTICAL CHARACTERISTICS

The following items are measured under stable conditions. The optical characteristics should be measured in a dark room or equivalent state.

Measuring equipment : TOPCON SR-3 and SR-3

\* Ta = 25 ± 2 °C, VDD=3.3V, fv= 60Hz, fdCLK = 68.9MHz, IL = 6.0 mA

Item	Symbol	Condition	Min.	Typ.	Max	Unit	
Contrast Ratio (5 Points)	CR	Normal Viewing Angle $\phi = 0$ $\theta = 0$	300	-	-	-	
Response Time at Ta ( Rising + Falling )	T <sub>RT</sub>		-	8	12	msec	
Average Luminance of White (5 Points)	Y <sub>L,AVE</sub>		187	220	-	cd/m <sup>2</sup>	
Color Chromaticity ( CIE )	Red		R <sub>X</sub>	0.565	0.595	0.625	-
			R <sub>Y</sub>	0.310	0.340	0.370	
	Green		G <sub>X</sub>	0.290	0.320	0.350	
			G <sub>Y</sub>	0.520	0.550	0.580	
	Blue		B <sub>X</sub>	0.125	0.155	0.185	
			B <sub>Y</sub>	0.100	0.130	0.160	
	White		W <sub>X</sub>	0.283	0.313	0.343	
		W <sub>Y</sub>	0.299	0.329	0.359		
Viewing Angle	Hor.	$\theta_L$	40	45	-	Degrees	
		$\theta_H$	40	45	-		
	Ver.	$\phi_H$	10	15	-		
		$\phi_L$	25	30	-		
13 Points White Variation	$\delta_L$				1.7	-	

### 3. ELECTRICAL CHARACTERISTICS

#### 3.1 TFT LCD MODULE

Ta= 25 ± 2°C

Item	Symbol	Min.	Typ.	Max.	Unit	Note	
Voltage of Power Supply	V <sub>DD</sub>	3.0	3.3	3.6	V		
Differential Input Voltage for LVDS Receiver Threshold	High	V <sub>IH</sub>	-	-	+100	mV	V <sub>CM</sub> = +1.2V
	Low	V <sub>IL</sub>	-100	-	-	mV	
Vsync Frequency	f <sub>v</sub>	50	60	-	Hz		
Hsync Frequency	f <sub>H</sub>	48.3	48.96	60	KHz		
Main Frequency	f <sub>DCLK</sub>	63.5	68.9	85	MHz		
Rush Current	I <sub>RUSH</sub>	-	-	1.5	A		
Current of Power Supply	White	I <sub>DD</sub>	-	420	-	mA	
	Mosaic		-	480	-	mA	
	V. Stripe		-	590	650	mA	

#### 3.2 BACK-LIGHT UNIT

The backlight system is an edge-lighting type with a single CCFT ( Cold Cathode Fluorescent Tube ).  
The characteristics of a single lamp are shown in the following table.

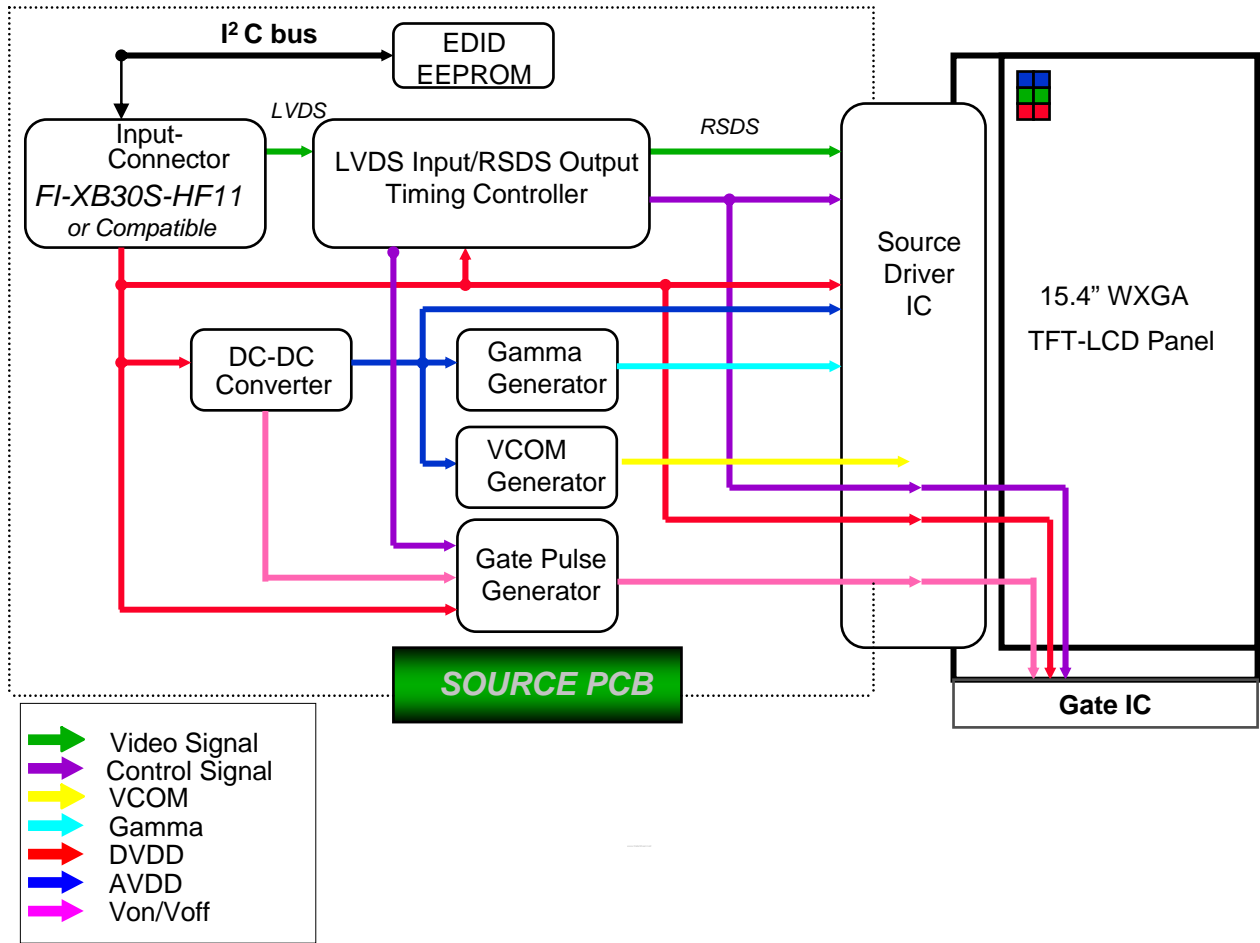
- INVERTER : SEM SIC 130T

Ta= 25 ± 2 °C

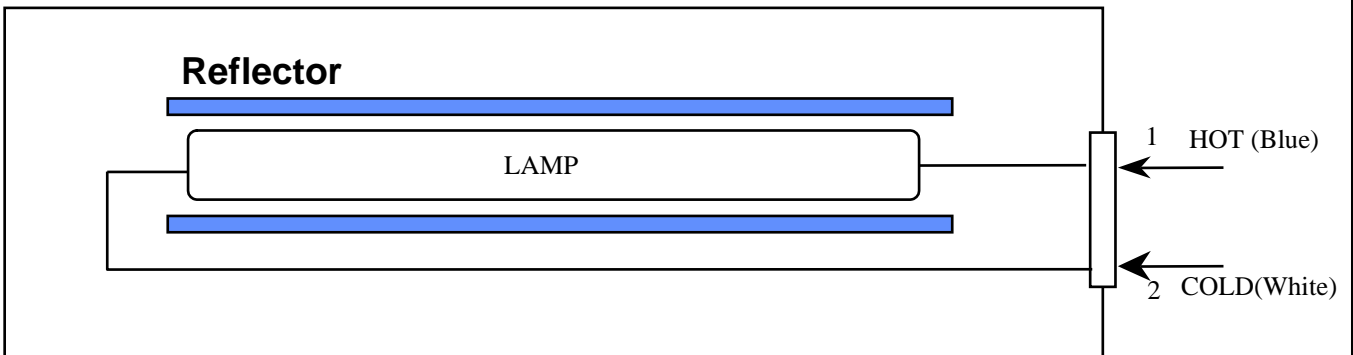
Item	Symbol	Min.	Typ.	Max.	Unit	Note
Lamp Current	I <sub>L</sub>	3.0	6.0	6.5	mArms	
Lamp Voltage	V <sub>L</sub>	-	705	-	Vrms	I <sub>L</sub> =6.0mA
Frequency	f <sub>L</sub>	50	60	80	KHz	
Power Consumption	P <sub>L</sub>		4.2		W	I <sub>L</sub> =6.0mA
Operating Life Time	Hr	10,000			Hour	
Startup Voltage	V <sub>s</sub>	-	-	1,180	Vrms	25°C
				1,415	Vrms	0°C
Lamp startup time		-	-	1.0	sec	

## 4. BLOCK DIAGRAM

### 4.1 TFT LCD Module



### 4.2 BACK-LIGHT UNIT



Note) The output of the inverter may change according to the material of the reflector.

## 5. INPUT TERMINAL PIN ASSIGNMENT

5.1. Input Signal & Power (LVDS, Connector : JAE FI-XB30SRLZ-HF11 or compatible )  
Mating Connector : JAE FI-X30M or compatible)

PIN NO	SYMBOL	FUNCTION	POLARITY	REMARK
1	VSS	Ground		
2	VDD	POWER SUPPLY +3.3V		
3	VDD	POWER SUPPLY +3.3V		
4	VEEDID	DDC 3.3V Power		
5	NC	No Connection		
6	CLKEDID	DDC Clock		
7	DATAEDID	DDC data		
8	RxIN0-	LVDS Differential Data INPUT (R0-R5,G0)	Negative	
9	RxIN0+	LVDS Differential Data INPUT (R0-R5,G0)	Positive	
10	VSS	Ground		
11	RxIN1-	LVDS Differential Data INPUT (G1-G5,B0-B1)	Negative	
12	RxIN1+	LVDS Differential Data INPUT (G1-G5,B0-B1)	Positive	
13	VSS	Ground		
14	RxIN2-	LVDS Differential Data INPUT (B2-B5,Sync,DE)	Negative	
15	RxIN2+	LVDS Differential Data INPUT (B2-B5,Sync,DE)	Positive	
16	VSS	Ground		
17	RxCLK-	LVDS Differential Data INPUT (Clock)	Negative	
18	RxCLK+	LVDS Differential Data INPUT (Clock)	Positive	
19	VSS	Ground		
20	NC	No Connection		
21	NC	No Connection		
22	NC	No Connection		
23	NC	No Connection		
24	NC	No Connection		
25	NC	No Connection		
26	NC	No Connection		
27	NC	No Connection		
28	NC	No Connection		
29	NC	No Connection		
30	NC	No Connection		



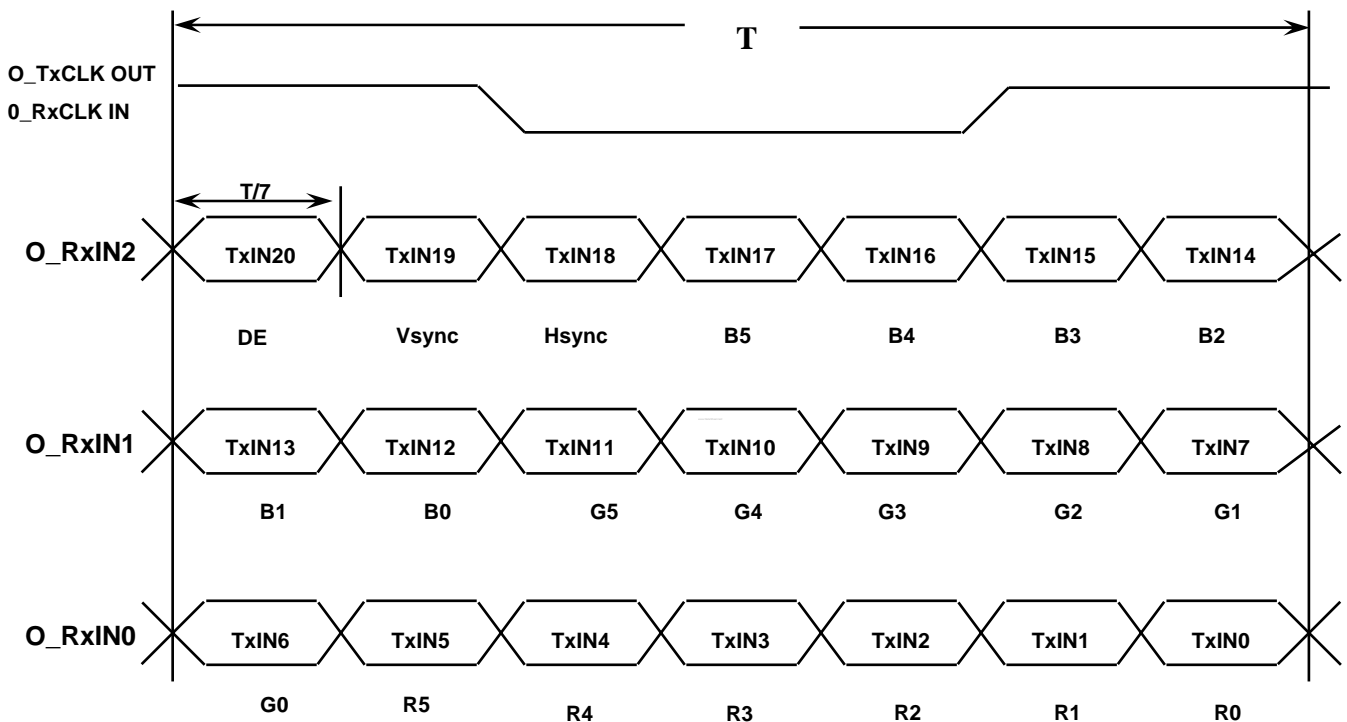
### 5.2 BACK LIGHT UNIT

Connector : JST BHSR - 02VS -1  
 Mating Connector : SM02B-BHSS-1(JST)

Pin NO.	Symbol	Color	Function
1	HOT	Pink	High Voltage
2	COLD	White	Low Voltage

### 5.3 Timing Diagrams of LVDS For Transmission

LVDS Receiver : Integrated T-CON

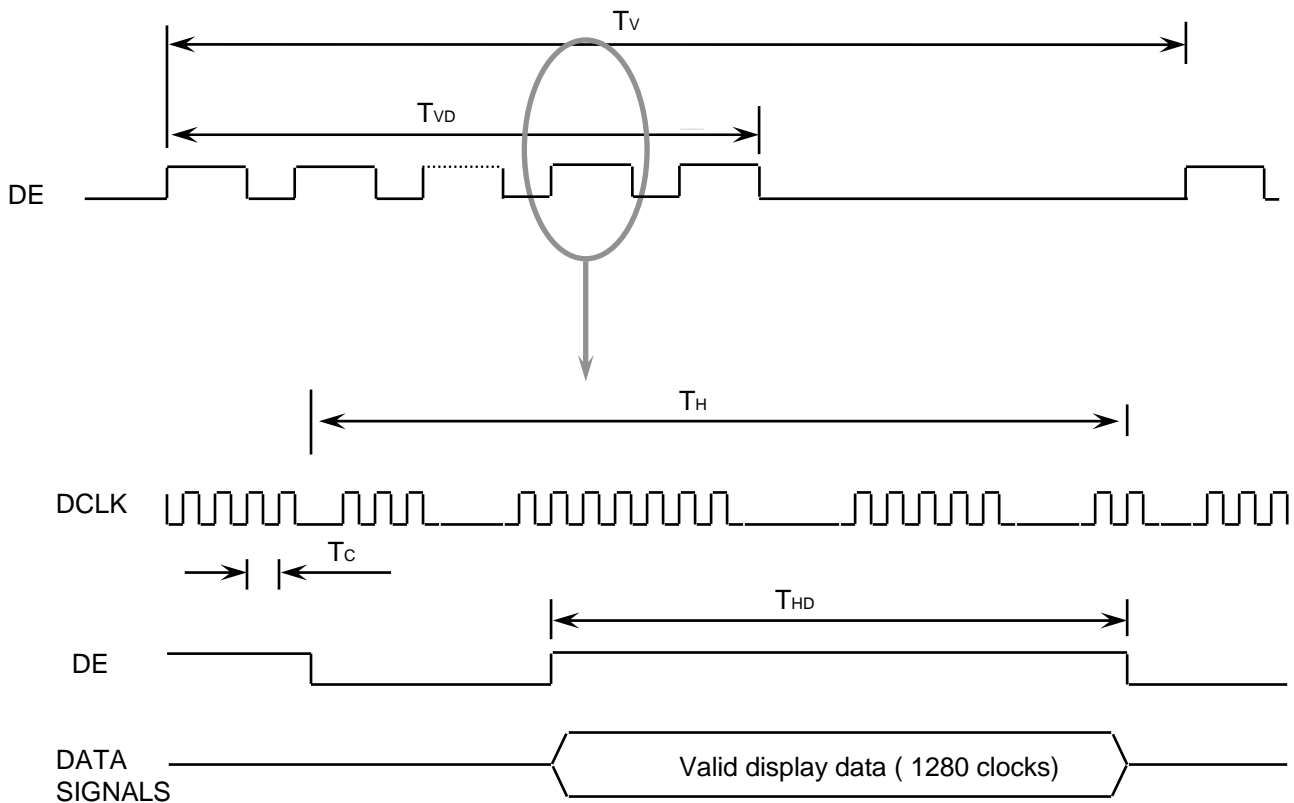


## 6. INTERFACE TIMING

### 6.1 Timing Parameters

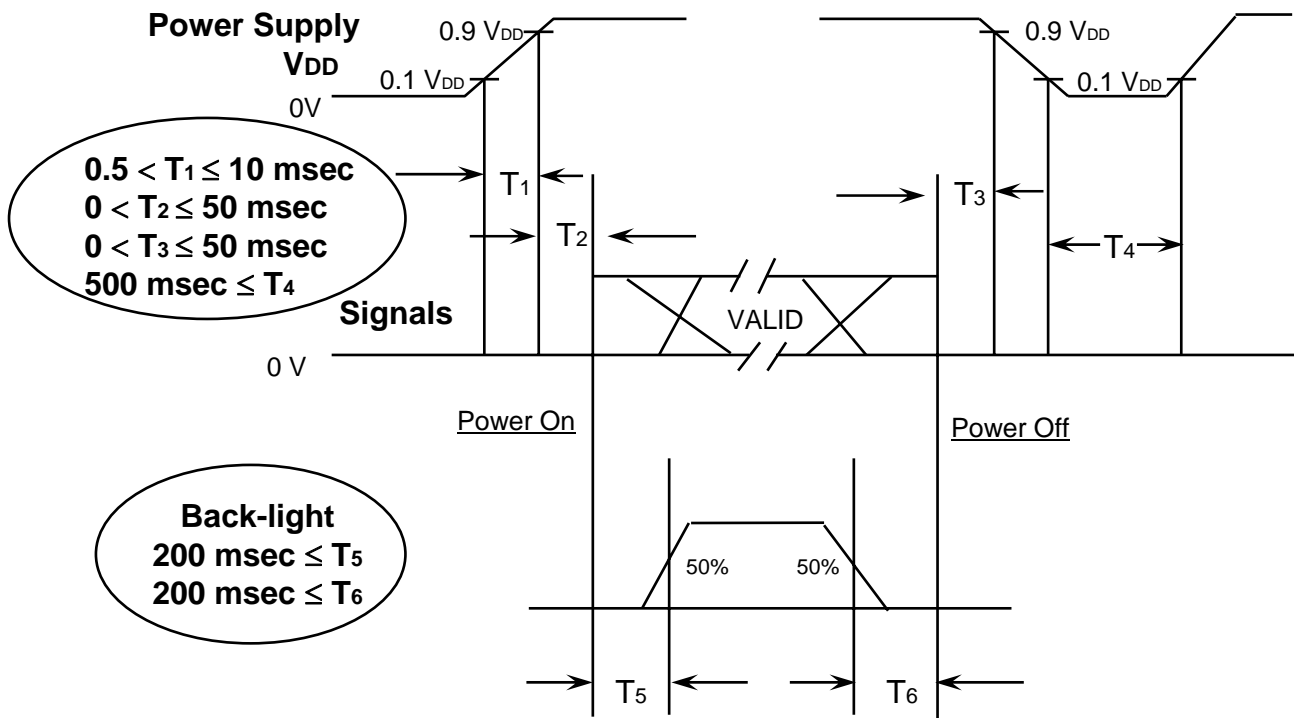
Signal	Item	Symbol	Min.	Typ.	Max.	Unit	Note
Frame Frequency	Cycle	TV	804	816	1000	Lines	-
Vertical Active Display Term	Display Period	TVD	-	800	-	Lines	-
One Line Scanning Time	Cycle	TH	1350	1408	1550	Clocks	-
Horizontal Active Display Term	Display Period	THD	-	1280	-	Clocks	-

### 6.2 Timing diagrams of interface signal



### 6.3 Power ON/OFF Sequence

: To prevent a latch-up or DC operation of the LCD module, the power on/off sequence should be as the diagram below.



Power ON/OFF Sequence

- T1 : Vdd rising time from 10% to 90%
- T2 : The time from Vdd to valid data at power ON.
- T3 : The time from valid data off to Vdd off at power Off.
- T4 : Vdd off time for Windows restart
- T5 : The time from valid data to B/L enable at power ON.
- T6 : The time from valid data off to B/L disable at power Off.

**NOTE.**

- (1) The supply voltage of the external system for the module input should be the same as the definition of VDD.
- (2) Apply the lamp voltage within the LCD operation range. When the back-light turns on before the LCD operation or the LCD turns off before the back-light turns off, the display may momentarily become white.
- (3) In case of VDD = off level, please keep the level of input signals on the low or keep a high impedance.
- (4) T4 should be measured after the module has been fully discharged between power off and on period.
- (5) Interface signal shall not be kept at high impedance when the power is on.

## 7. MECHANICAL OUTLINE DIMENSION

[ Refer to the next page ]

— R, UE SPEC : MAX 3,0 Kg/cm